



HIGH CAPACITY COLORING

MACMIN
WWW.MACMIN.CL

COLOR PRO

FEATURES & BENEFITS

MACMIN

WWW.MACMIN.CL



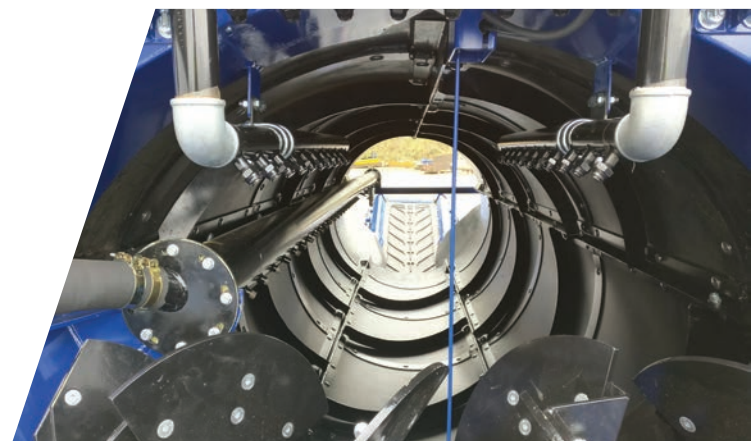
With unmatched production rates of 500 yards³/hr and high efficiency; the EDGE ColorPRO offers operators the highest return of any coloring system available on the market. A self-contained portable coloring system, the EDGE ColorPRO is ideal for those operators seeking a large capacity, coloring solution.

Designed completely for the coloring of material, the ColorPRO dye trommel from EDGE Innovate incorporates impressive design features such as a 2m X 6.9m (6' X 22') long spiral drum with built in material detection system to ensure against color wastage. A large hopper capacity of 12.6m³ (16.5 yards³) complete with forward / reverse feed conveyor, variable speed feeder and drum rotation allows for differing workloads. Combining the aggressive force of both the turn shaft auger system and drum barrel, ensures for an efficient delivery of colorants to the feed material.

With a throughput capacity of up to 500 yards³ per hour and ease of transport; the EDGE ColorPRO is the ideal solution for satisfying the production demands of the largest mulch producer or for those producers that operate across multiple sites.

KEY HIGHLIGHTS

- Lowest cost per yard coloring solution on the market.
- Unique material detection system ensures against expensive color wastage.
- Built-in hopper auger flips and rotates material allowing for effective dispersal of material before entering the barrel.
- Speed adjustable barrel and feed conveyor provides easy operational adjustment to suit various workloads.
- 2m X 6.9m (6'X22') long spiral drum ensures for an efficient material colouring process.



HIGH CAPACITY COLORING

MACMIN
WWW.MACMIN.CL



MATERIAL DETECTION
PREVENTS WASTAGE



HIGHLY EFFICIENT
DELIVERY SYSTEM



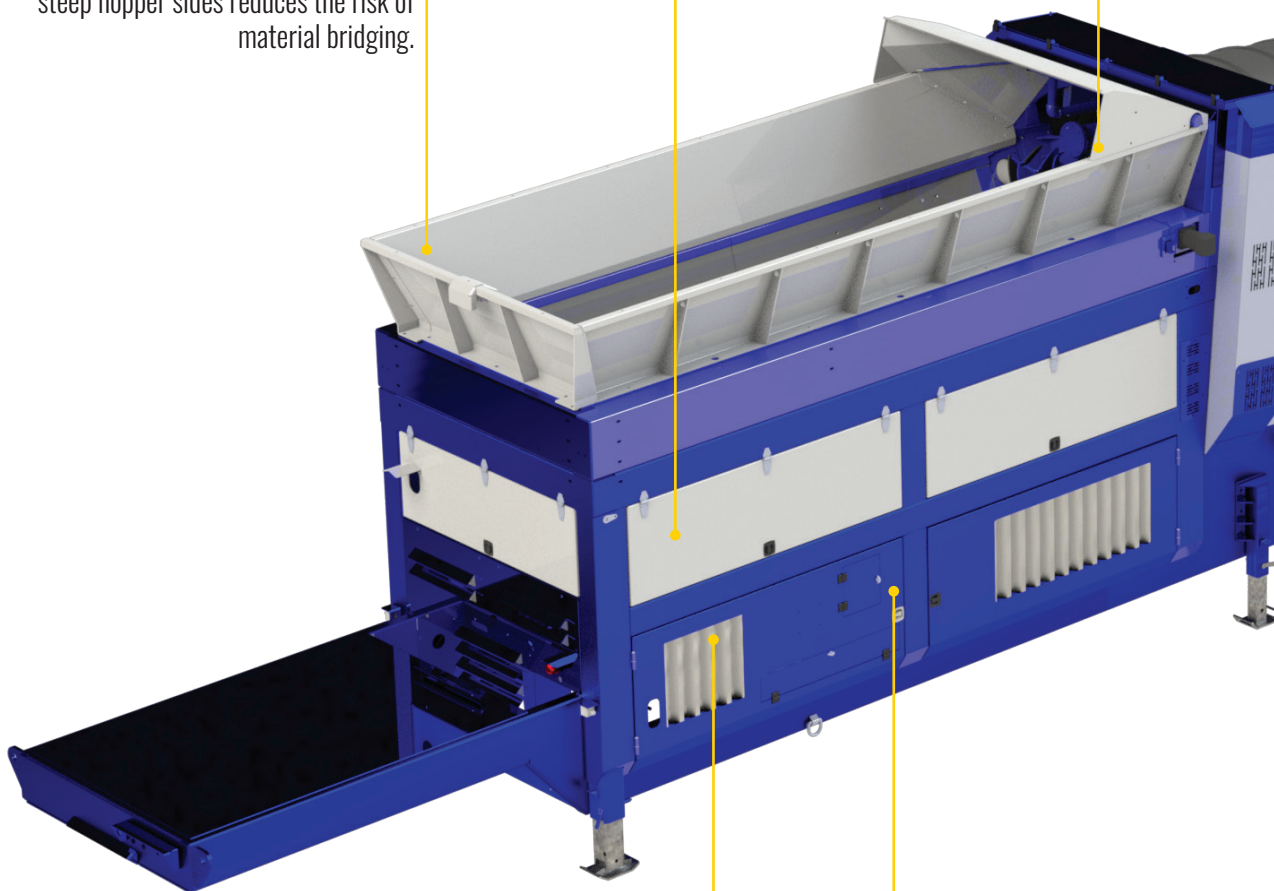
HIGH CAPACITY

COLOR PRO
DESIGN FEATURES
MACMIN
WWW.MACMIN.CL

Forward/Reverse Auger condition material and aids in the flow of material reducing the risk of bridging

A variable speed forward / reverse feeder with load sensing controls prevents material overload

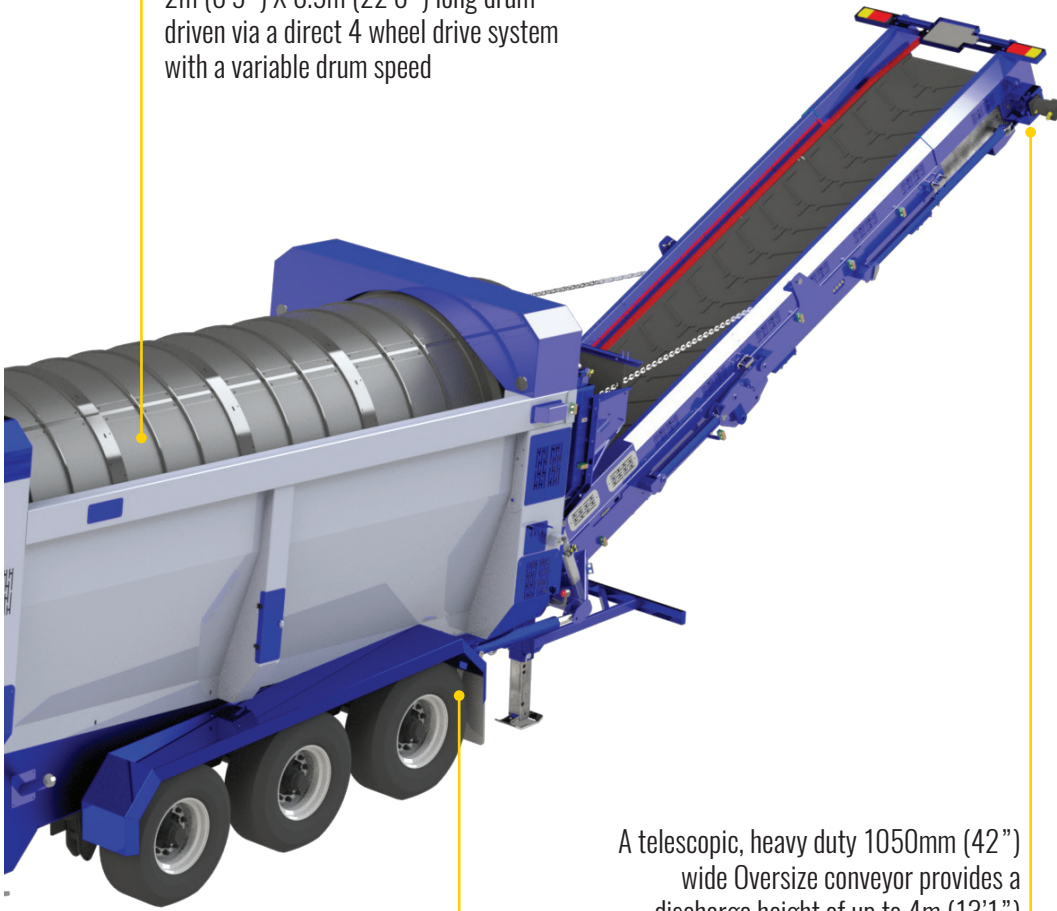
A large hopper capacity coupled with steep hopper sides reduces the risk of material bridging.



Powered by a CATERPILLAR C4.4 industrial power unit with an average fuel consumption of 12-15 Ltr/hr. (3-4USG)
Tier 4 Final engine also available.

All engine info & diagnostic faults can be accessed through the control panel

2m (6'9") X 6.9m (22'6") long drum
driven via a direct 4 wheel drive system
with a variable drum speed



A telescopic, heavy duty 1050mm (42")
wide Oversize conveyor provides a
discharge height of up to 4m (13'1")

Triple wheeled bogie with air brakes
and mechanical ultraslung
suspension

APPLICATIONS

MULCH



COLOR PRO

TECHNICAL SPECIFICATIONS

TRANSPORT DIMENSIONS

Length:	17131mm (56'2")
Width:	2870m (9'5")
Height:	4125m (13'6")
Shipping Method:	RoRo
Gross Weight (Est):	27200KG (30UST)

CONVEYOR DATA

Hopper Capacity:	16.5m ³ (21.5yds ³)
Minimum Feed In Height:	3296mm (10'10")
Feed Conv. Belt Width:	1200m (48")
Product Conv. Discharge Height:	4700m (15'8")

AVAILABLE OPTIONS

Tier 4 Final / Stage V Engine	Reversible Fan
LRC Engine	Dye Pump
Electric / Hydraulic	Dye Mixer and Lift
Hopper Extensions	Auto Lube System

DRUM DATA

Drum Length:	2m (6'9")
Drum Diameter:	6.9m (22'6")
Drive System:	Friction Four Wheel Drive
Drum RPM:	0-24RPM
Drum Angle:	3-7°

POWERUNIT DATA

Tier 3 Engine:	CAT4.4 96Kw (127Hp)
Tier 4 Final Engine:	CAT4.4 110Kw (148Hp)
Diesel Tank Capacity:	650L (170 US Gallon)

TRIED, TESTED & TRUSTED THROUGHOUT THE GLOBE

With our ethos of *"Innovation at Work"* EDGE not only persist in pushing the boundaries of design and manufacturing to produce hard working, quality machinery, we also bring that same ethos to our aftersales service in order to bring real benefits to customers right across the world.

At EDGE we like to see the sales transaction as the start of a long-term partnership. Our goal is to offer the best customer support in the market for the lifetime of the unit. EDGE has reinvested and expanded our after-sales department in order to streamline and provide the customer support we believe our customers deserve.



**TECHNICAL
ASSISTANCE**



**PARTS
AVAILABILITY**



DELIVERY



WARRANTY





Oficina y Taller
Avenida Las Palmeras 1000, parcela 5, lote 3, Peñaflores, Santiago – CHILE
Código postal 9761220
+562 4367 0117 / +562 2812 2683 / +569 9259 6389
contacto@macmin.cl
www.macmin.cl

**CONTACT US
TODAY.**

30 Farlough Road, Dungannon, Co.Tyrone, BT71 4DT, Northern Ireland

 +44(0)2887 740525  info@edgeinnovate.com  edgeinnovate.com